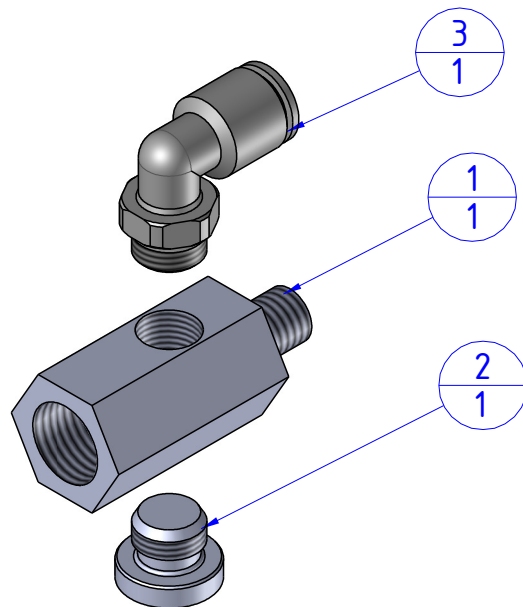
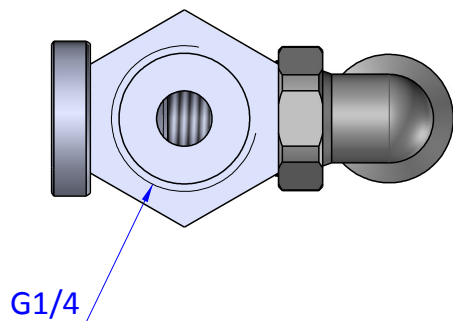
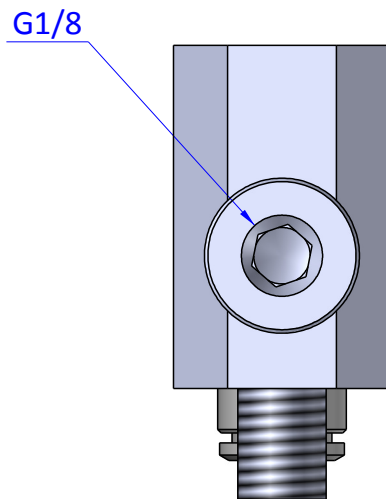
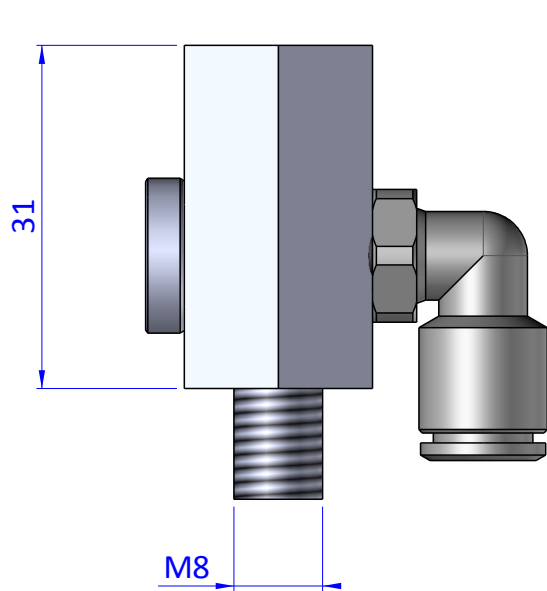

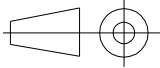


THE PROPERTY OF THE DRAWING IS ESTABLISHED BY LAW. IT IS FORBIDDEN TO PRODUCE OR SHOW IT TO THIRD PART. WITHOUT A WRITTEN AGREEMENT.

Item	Name	Q.ty
1	11-15-005	1
2	CA.08.14.014	1
3	CA.12.05.003	1



<b>Format A4</b> <b>UNI 936-76</b>	 <b>FPS</b> FPSERVICES AUTOMATION			DESIGNED FROM <b>FPS Automation</b>	REVIEW <b>A</b>
	GENERAL TOLERANCE UNI - ISO 2768 CLASSE f	DESCRIPTION  CA.11.15.005		DATE 20/05/2019	WEIGHT 0,015kg
				CODE <b>CA.11.15.005</b>	